



Woodworking machinery at its best!

**UNIVERSAL DUST HOOD HOLDER FOR LATHES
OWNERS MANUAL
MODEL: UDH001**



**Charnwood Machinery Ltd, Cedar Court, Walker Road,
Bardon Hill, Leicestershire, LE67 1TU
Tel. 01530 516 926 Fax. 01530 516 929
email: sales@charnwood.net website: www.charnwood.net**

GENERAL SAFETY RULES



WARNING: Do not attempt to operate the machine until you have read thoroughly and understood completely all instructions, rules, etc. contained in this manual. Failure to comply may result in accidents involving fire, electric shock, or serious personal injury. Keep this owner's manual and review frequently for continuous safe operation.

1. Know your machine. For your own safety, read the owner's manual carefully. Learn its application and limitations, as well as specific potential hazards pertinent to this machine.
2. Make sure all tools are properly earthed.
3. Keep guards in place and in working order. If a guard must be removed for maintenance or cleaning, make sure it is properly replaced before using the machine again.
4. Remove adjusting keys and spanners. Form a habit of checking to see that the keys and adjusting spanners are removed from the machine before switched it on.
5. Keep your work area clean. Cluttered areas and workbenches increase the chance of an accident.
6. Do not use in dangerous environments. Do not use power tools in damp or wet locations, or expose them to rain. Keep work areas well illuminated.
7. Keep children away. All visitors should be kept a safe distance
8. from the work area.
9. Make workshop childproof. Use padlocks, master switches and remove starter keys.
10. Do not force the machine. It will do the job better and be safer at the rate for which it is designed.
11. Use the right tools. Do not force the machine or attachments to do a job for which they are not designed. Contact the manufacturer or distributor if there is any question about the machine's suitability for a particular task.
12. Wear proper apparel. Avoid loose clothing, gloves, ties, rings, bracelets, and jewellery which could get caught in moving parts. Non-slip footwear is recommended. Wear protective hair covering to contain long hair.
13. Always use safety glasses. Normal spectacles only have impact resistant lenses. They are not safety glasses.
14. Do not over-reach. Keep proper footing and balance at all times.
15. Maintain the machine in good condition. Keep the machine clean for best and safest performance. Follow instructions for lubrication and changing accessories.
16. Disconnect the machine from power source before servicing and when changing the blade.
17. Never leave the machine running unattended. Turn the power off. Do not leave the machine until it comes to a complete stop.
18. Do not use any power tools while under the effects of drugs, alcohol or medication.
19. Always wear a face or dust mask if operation creates a lot of dust and/or chips. Always operate the tool in a well ventilated area and provide for proper dust removal. Use a suitable dust extractor.



Risk of Injury.
Never reach into
a moving part



Wear Eye
Protection



Wear Ear
Protection

UDH001 UNIVERSAL DUST HOOD HOLDER FOR LATHES OVERVIEW



Setting Up



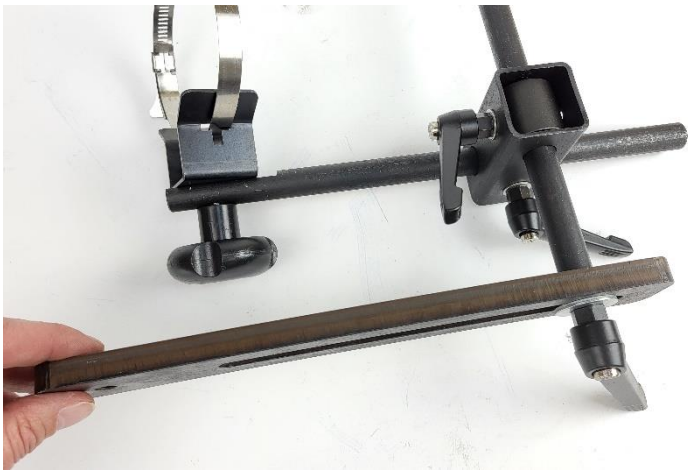
Thread the Dust Hood Clamp through the Dust Hood Bracket and turn the wing nut to feed the clamp in a couple of turns.

Attach the Slide Bracket onto the Dust Hood Bracket arm.

Note: Make sure the Locking Handle is at the bottom so it will not be in the way of your dust hose when attached.



Slot the Vertical Bar into the Slide Bracket making sure the end with the flats on is at the bottom.



Attach the Short Arm onto the bottom of the Vertical Bar using the Locking Handle and washer.

Note: The flats on the vertical bar should fit inside the slot on the short arm.

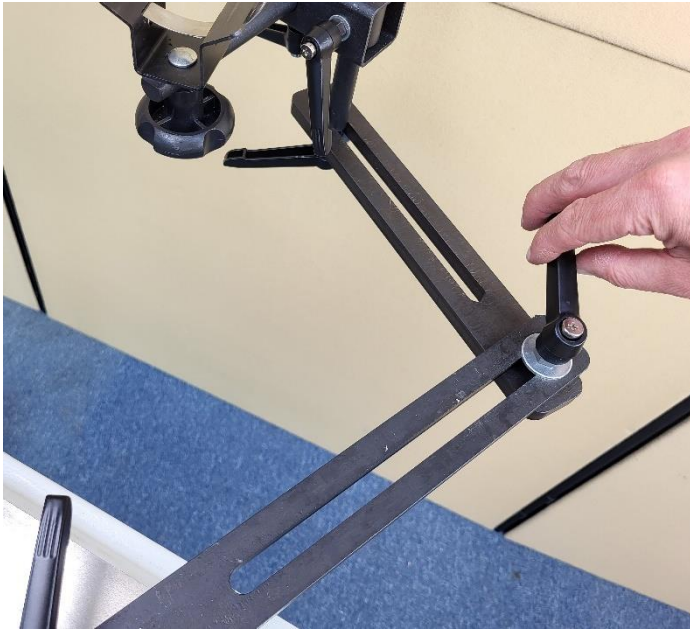


Attach the Long Arm to your lathe bed by placing the Locking Plate under the lathe bed and using the Lathe Bed Locking Handle and washer to lock in place.

Note: This handle has a slightly longer thread than the others.

The locking plate has a different width raised area on each side, allowing you to choose the appropriate side to suit your lathe.

Note: The raised area does not need to be a tight fit in the centre of your bed.



Attach the main assembly onto the long arm using the locking handle and washer.



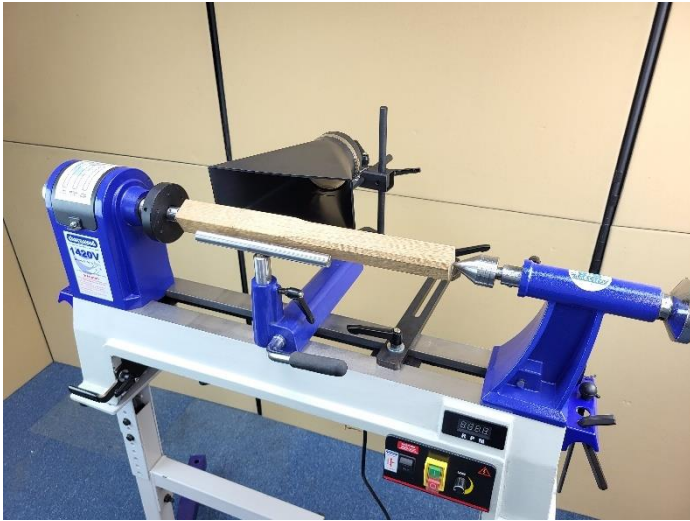
Attach a suitable dust hood onto the dust hood bracket and hold in place by tightening the dust hood clamp.

We recommend the Charnwood DH250 or DH410 dust hood.

Note: Set the dust hood bracket at a slight angle so that your dust hose will not foul on the vertical bar.



Set the dust hood in a suitable position by adjusting the angles of the long and short arms and adjust the height on the vertical bar.



Dust hood in the horizontal position.



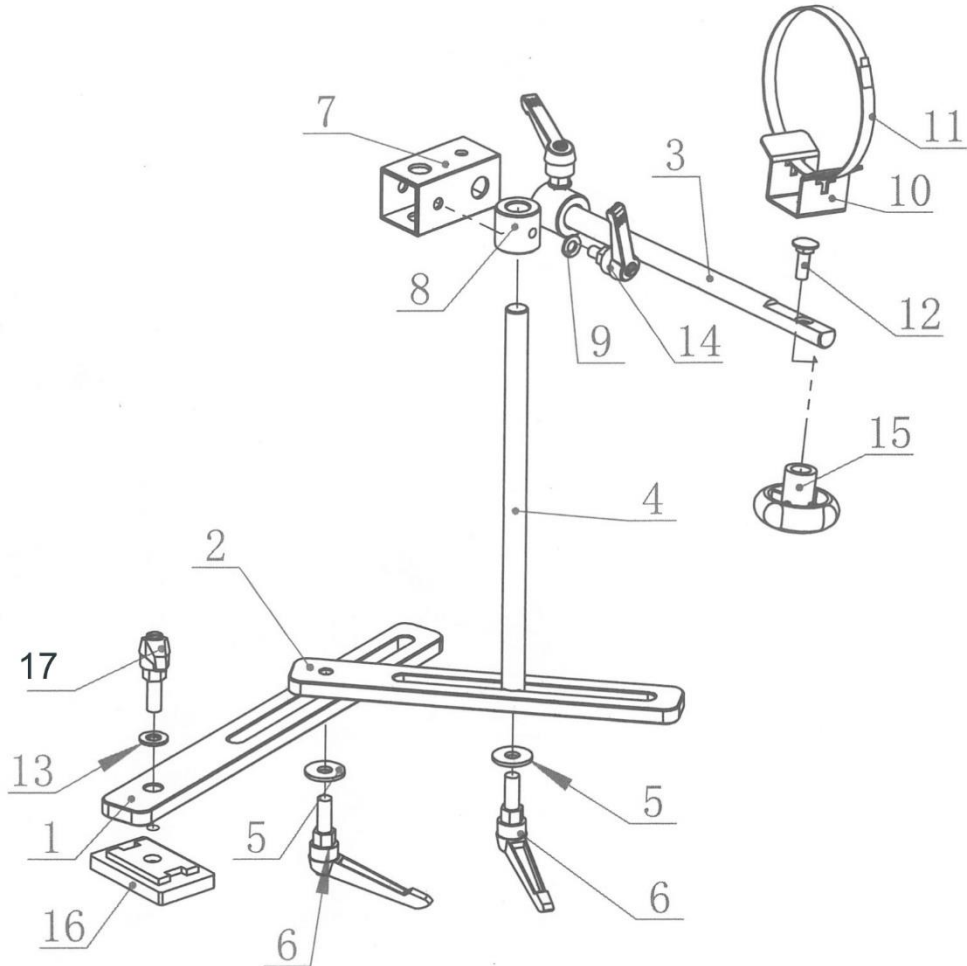
The dust hood can also be used in the vertical position by turning the dust hood arm by 90 degrees.



Dust hood in the vertical position.

Charnwood

Woodworking machinery at its best!



No.	Description	Qty	No.	Description	Qty
1	Long Arm	1	9	M8 Washer	2
2	Short Arm	1	10	Dust Hood Bracket	1
3	Dust Hood Bracket Arm	1	11	Dust Hood Clamp	1
4	Vertical Bar	1	12	Bolt	1
5	M10 Washer	2	13	M10 Washer	1
6	M10 x 25mm Locking Handle	2	14	M8 x 12mm Locking Handle	2
7	Slide Bracket Block	1	15	Locking Knob	1
8	Locking Bush	2	16	Locking Plate	1
			17	M10 x 40mm Locking Handle	1

Updated June 2023

**Charnwood Machinery Ltd, Cedar Court, Walker Road,
Hilltop Industrial Estate, Bardon Hill, Leicestershire, LE67 1TU, England**

Tel. 01530 516 926 Fax. 01530 516 929
email: sales@charnwood.net website: www.charnwood.net